

Piedini Di Sostegno PD/S (Per ES../4A - Esecuzione "A")  
 Supports (For ES../4A - Arrangement "A")  
 Supports (Pour ES../4A - Exécution "A")  
 Gehäusefüsse (Für ES../4A - Ausführung "A")

#### PIEDINI DI SOSTEGNO

**Impiego:** vengono installati sui ventilatori assiali o sulle tubazioni. Danno sostegno e stabilità al ventilatore che non grava più col suo peso sulle tubazioni e permette il montaggio di giunti antivibranti ed ammortizzatori.

#### SUPPORTS

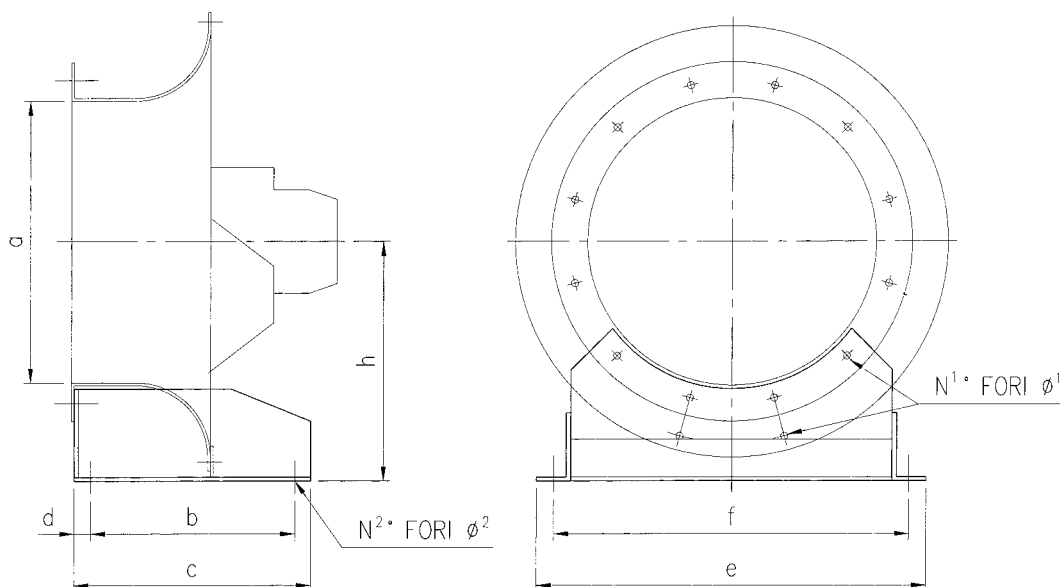
**Use:** the supports are installed on fans to keep the fans stable.

#### SUPPORTS

**Utilisation:** les supports sont installés aux ventilateurs hélicoidaux et servent à rendre stable le ventilateur.

#### FÜßE

**Anwendung:** Sie dienen zur Aufstellung der Axialventilatoren oder der Rohrleitungen. Sie können auch bei senkrechtem Einbau zur Auflage verwendet werden.



| TIPO<br>TYPE<br>TYP |      |     |      |     |      |      |      |     |    |    |    |       | PESO<br>WEIGHT<br>POIDS<br>GEWICHT<br>Kg |
|---------------------|------|-----|------|-----|------|------|------|-----|----|----|----|-------|--|
|                     | a    | b   | c    | d   | e    | f    | h    | N1  | Ø1 | N2 | Ø2 | SP.   |  |
| PD/S 315            | 315  | 180 | 280  | 40  | 350  | 300  | 250  | 2+2 | 8  | 4  | 10 | 25/10 | 2.4                                      |
| PD/S 355            | 355  | 190 | 280  | 40  | 380  | 330  | 265  | 2+2 | 8  | 4  | 10 | 25/10 | 2.3                                      |
| PD/S 400            | 400  | 200 | 300  | 45  | 415  | 365  | 300  | 2+2 | 8  | 4  | 10 | 30/10 | 3.5                                      |
| PD/S 450            | 450  | 212 | 315  | 50  | 455  | 405  | 335  | 2+2 | 8  | 4  | 10 | 30/10 | 4  |
| PD/S 500            | 500  | 224 | 335  | 56  | 520  | 460  | 375  | 2+2 | 8  | 4  | 10 | 30/10 | 4.6                                      |
| PD/S 560            | 560  | 250 | 355  | 63  | 570  | 510  | 400  | 2+2 | 8  | 4  | 10 | 40/10 | 7.5                                      |
| PD/S 630            | 630  | 280 | 400  | 71  | 620  | 560  | 450  | 2+2 | 8  | 4  | 10 | 40/10 | 9  |
| PD/S 710            | 710  | 315 | 450  | 80  | 700  | 630  | 500  | 4+4 | 10 | 4  | 12 | 40/10 | 11.3                                     |
| PD/S 800            | 800  | 355 | 500  | 90  | 770  | 700  | 560  | 4+4 | 10 | 4  | 12 | 50/10 | 17                                       |
| PD/S 900            | 900  | 450 | 630  | 112 | 870  | 790  | 610  | 4+4 | 10 | 4  | 12 | 50/10 | 22                                       |
| PD/S 1000           | 1000 | 450 | 630  | 112 | 960  | 880  | 680  | 6+6 | 10 | 4  | 12 | 50/10 | 26                                       |
| PD/S 1120           | 1120 | 500 | 710  | 125 | 1080 | 990  | 750  | 8+6 | 10 | 4  | 12 | 50/10 | 32                                       |
| PD/S 1250           | 1250 | 560 | 800  | 140 | 1180 | 1090 | 850  | 8+6 | 10 | 4  | 12 | 50/10 | 39                                       |
| PD/S 1400           | 1400 | 630 | 900  | 160 | 1320 | 1220 | 950  | 8+8 | 10 | 4  | 14 | 60/10 | 65                                       |
| PD/S 1600           | 1600 | 710 | 1000 | 180 | 1450 | 1350 | 1060 | 8+8 | 12 | 4  | 14 | 60/10 | 71                                       |
| PD/S 1800           | 1800 | 800 | 1120 | 200 | 1620 | 1510 | 1180 | 8+8 | 12 | 4  | 14 | 70/10 | 98                                       |
| PD/S 2000           | 2000 | 900 | 1250 | 224 | 1820 | 1710 | 1320 | 8+6 | 12 | 4  | 16 | 70/10 | 121                                      |